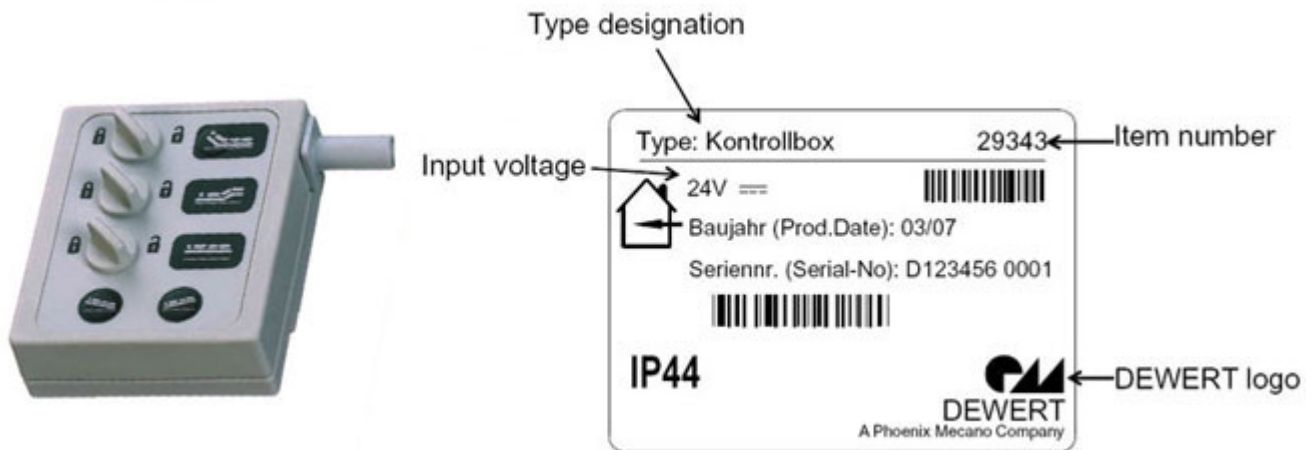
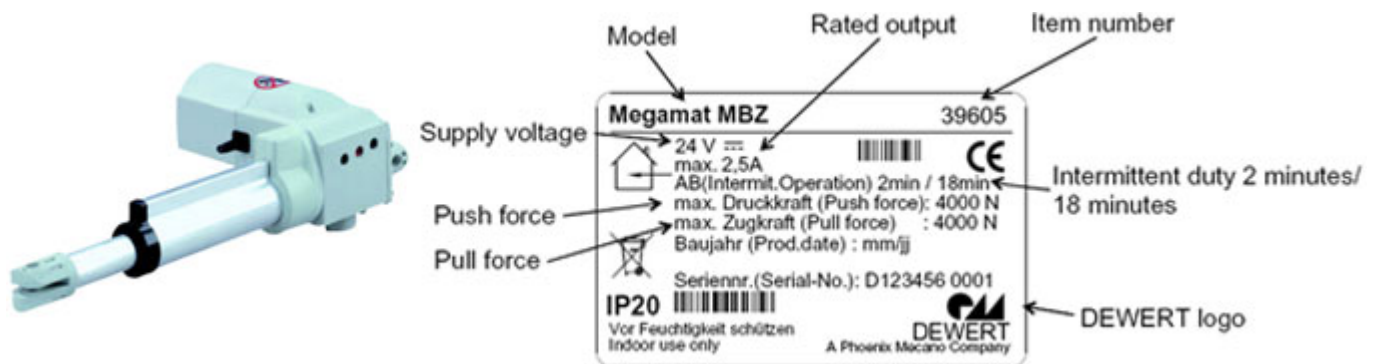


## Identify Your Product

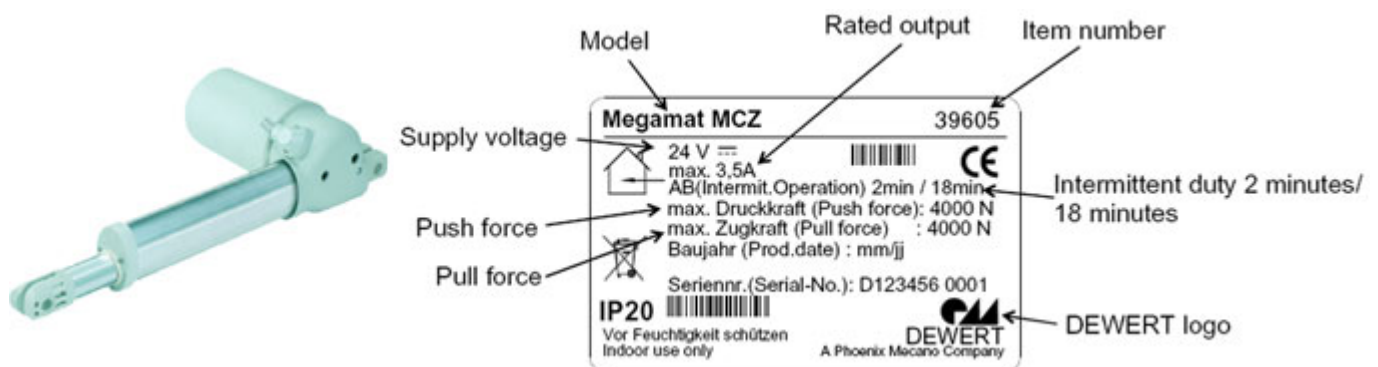
### Lockout Box



### Megamat 1

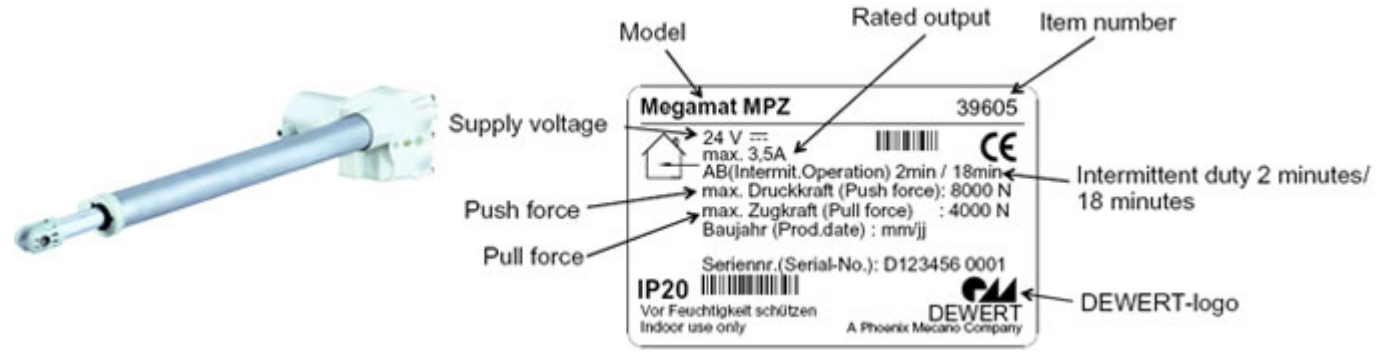


### Megamat 2

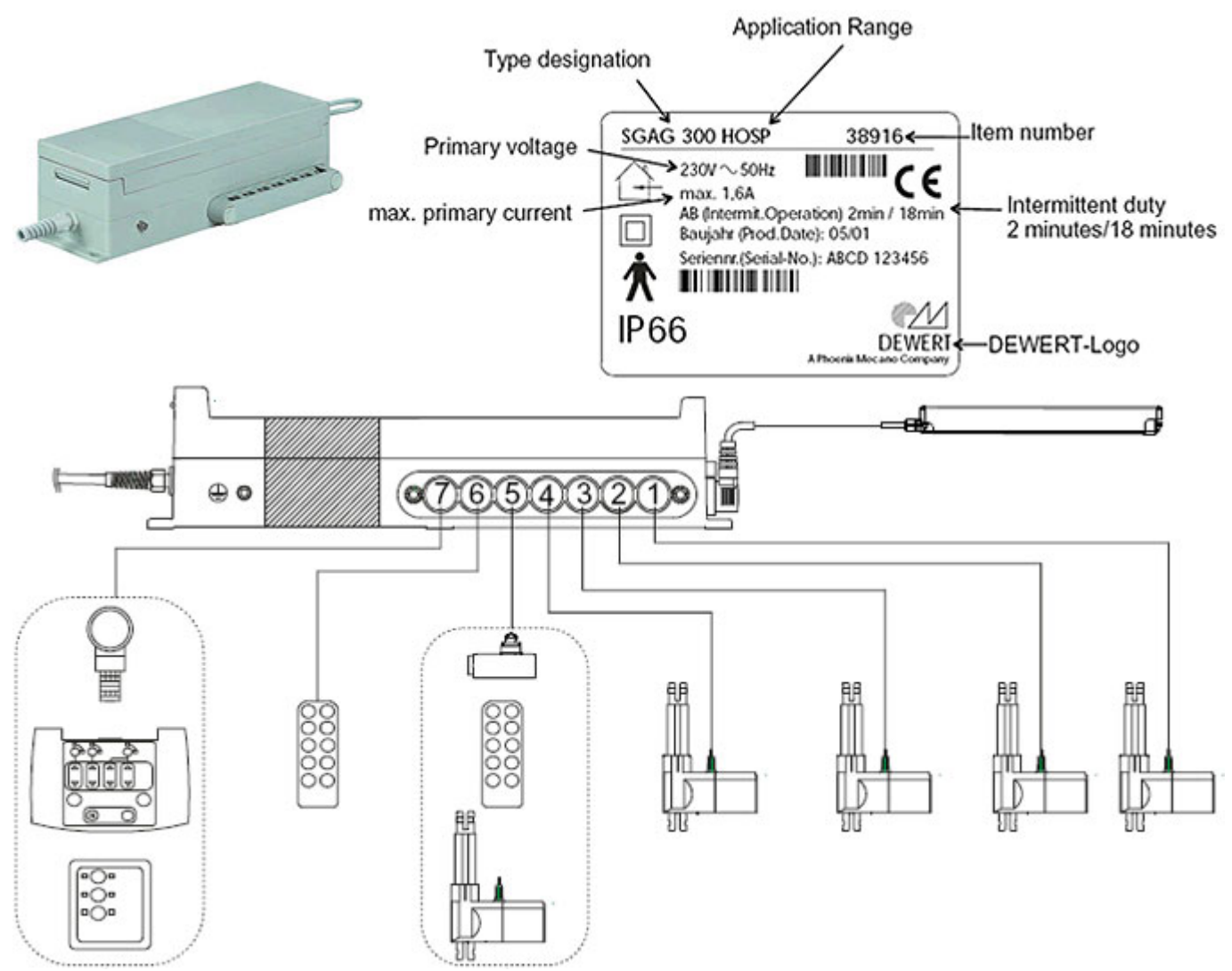


## Identify Your Product

### Megamat P

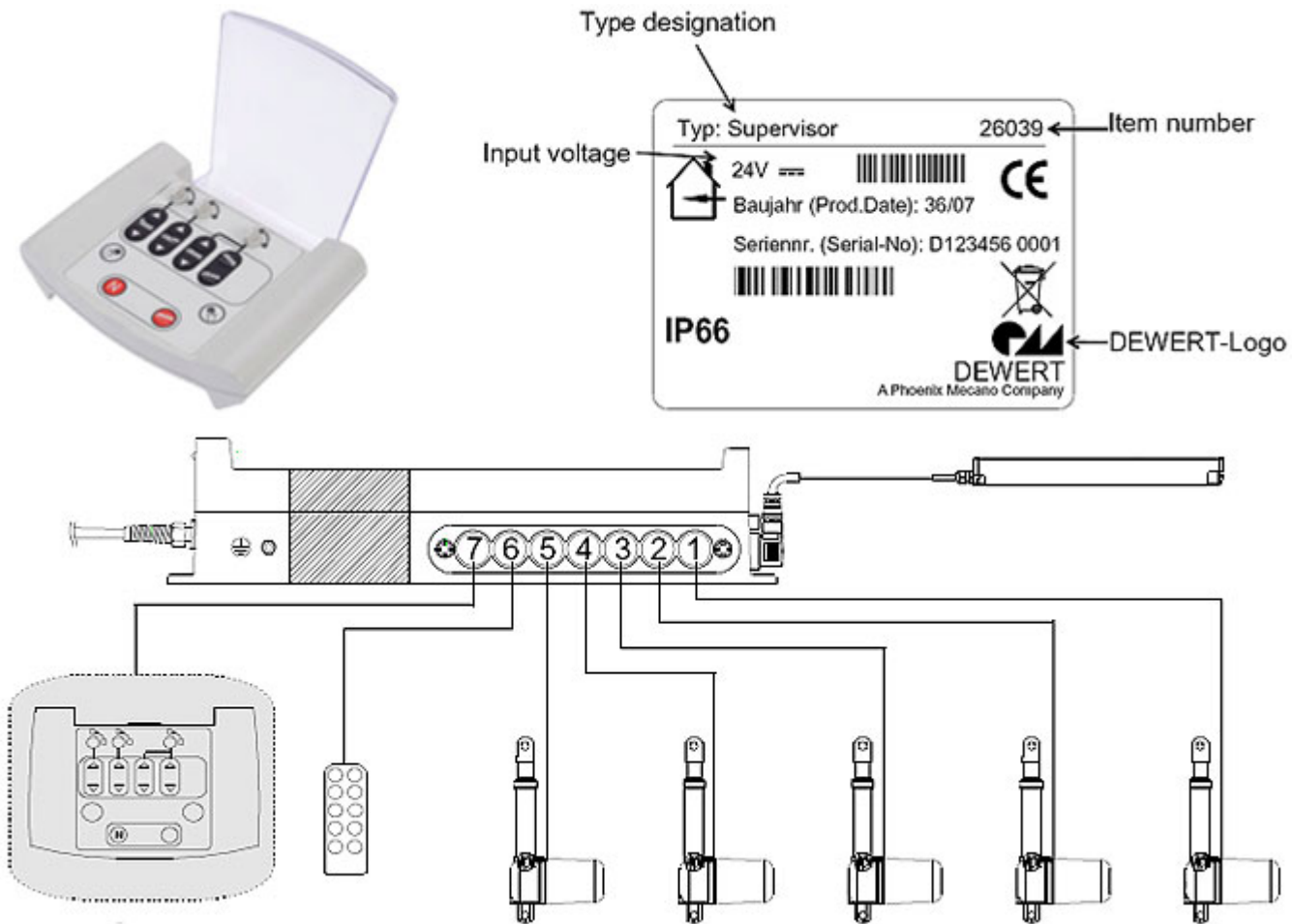


### SG300 – Control Box

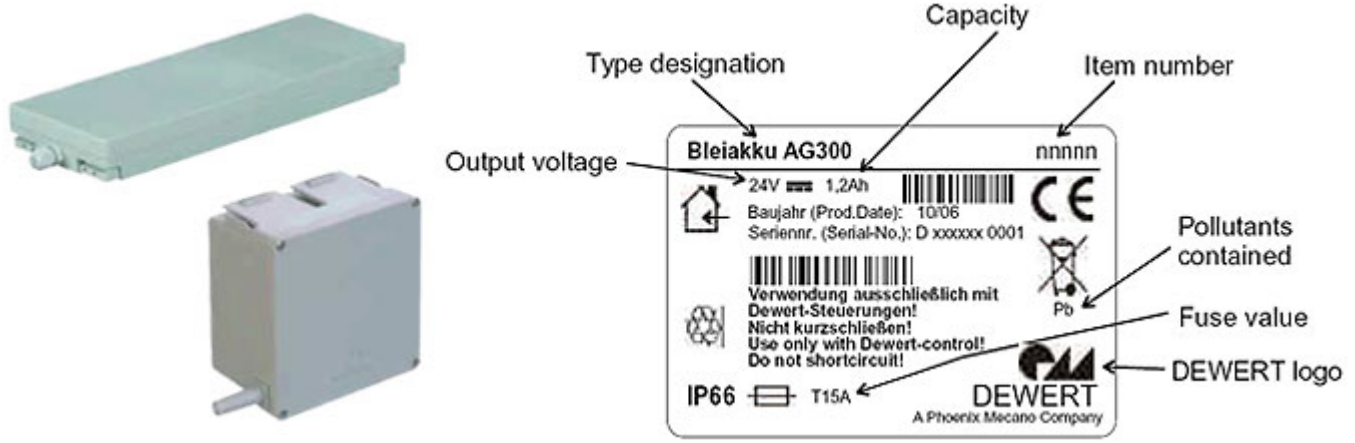


## Identify Your Product

### Supervisor

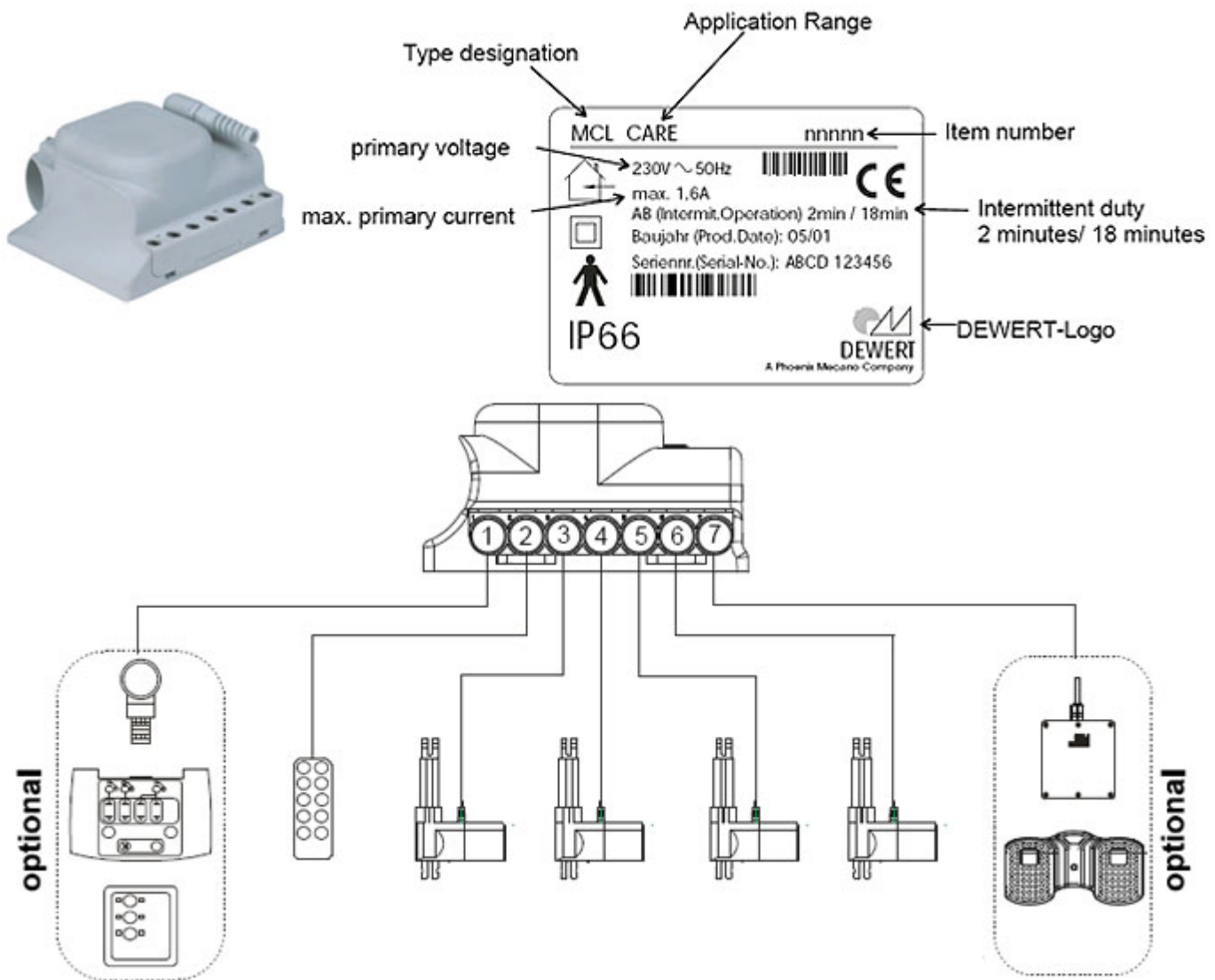


### AG300 & AG7



## Identify Your Product

### MCL Control Box



## Identify Your Product




---

### Iproxx Handset



**Iproxx** 40662

---

 U in : 24V  

Baujahr (Prod.Date): 41/09  
Seriennr.(Serial-No.): C123456 0001

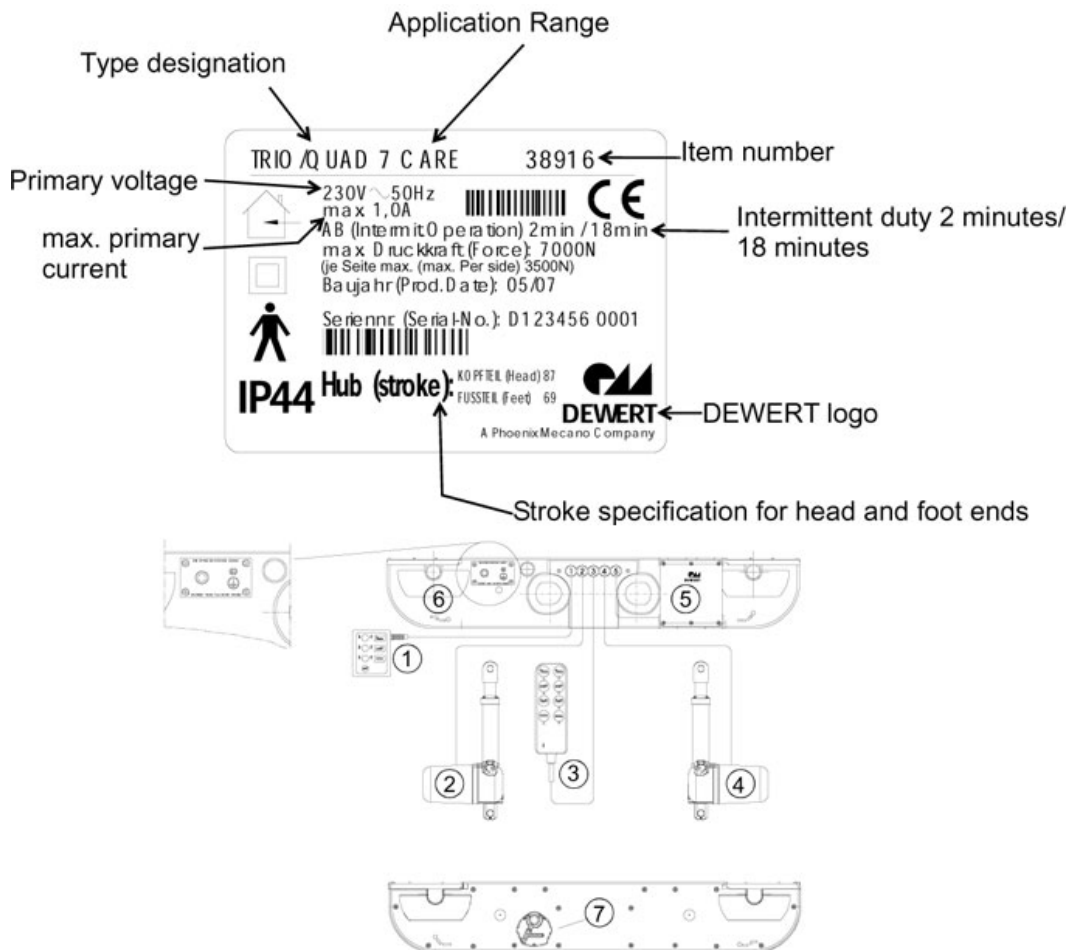
**IP66**

   
A Phoenix Mecano Company



## Identify Your Product

### Duomat 7



Only connect the components as shown !

**This can otherwise result in damage to the drive control unit!**

Pos.	Part designation	Description
1	DEWERT locking device	Blocking function
2	DEWERT slave drive	e.g. MEGAMAT, LAMBDA
3	DEWERT handset	Version depends on application range (e.g.: MEDIX CARE)
4	DEWERT slave drive	e.g. MEGAMAT, LAMBDA
5	DEWERT battery backup unit	AG 7 attachable, optional
6	DUOMAT 7 dual drive	QUADROMAT version
7	Emergency Release	mech. emergency lowering